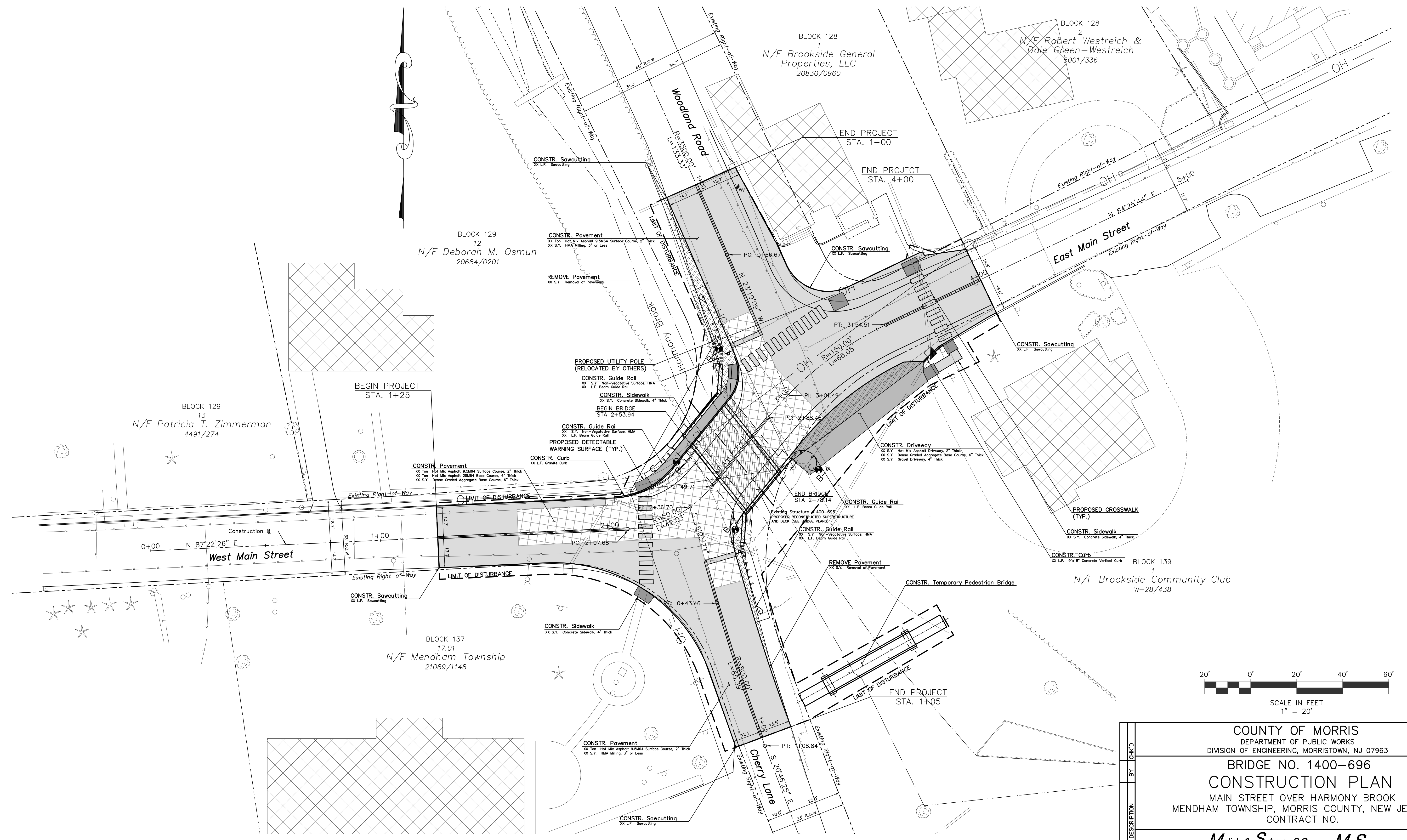



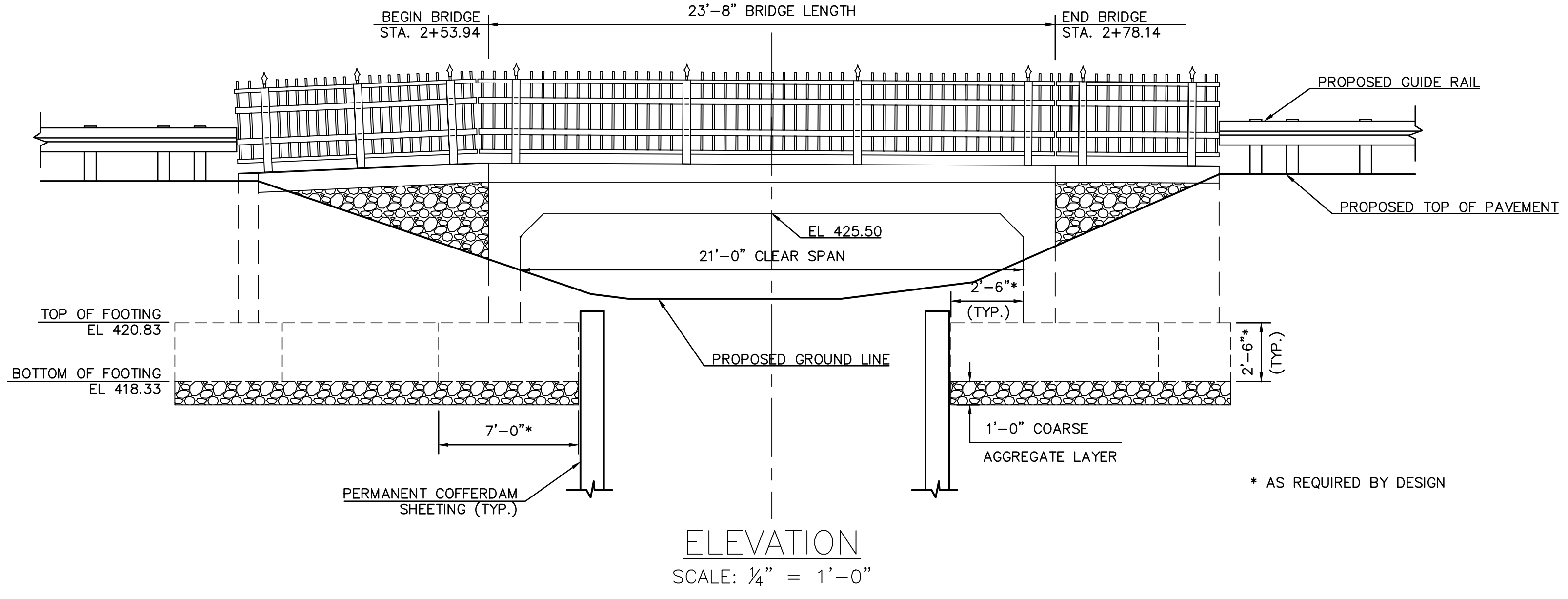
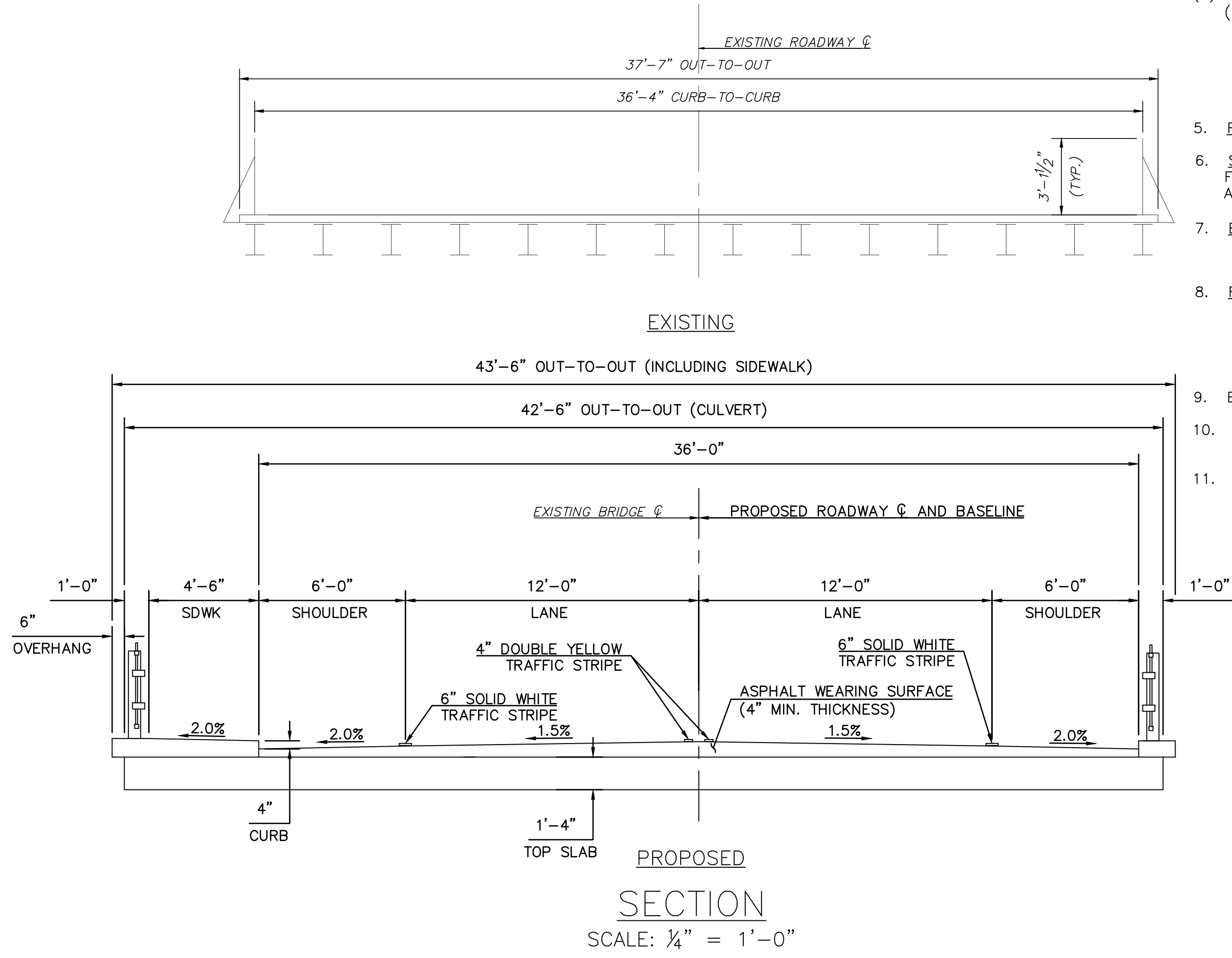
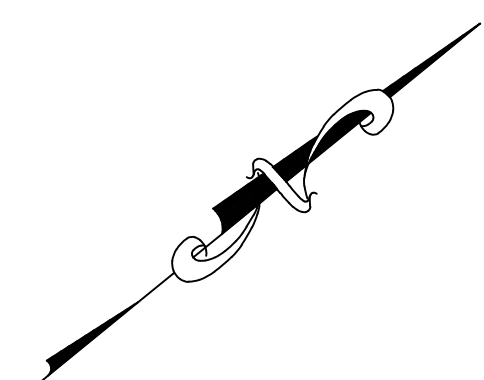
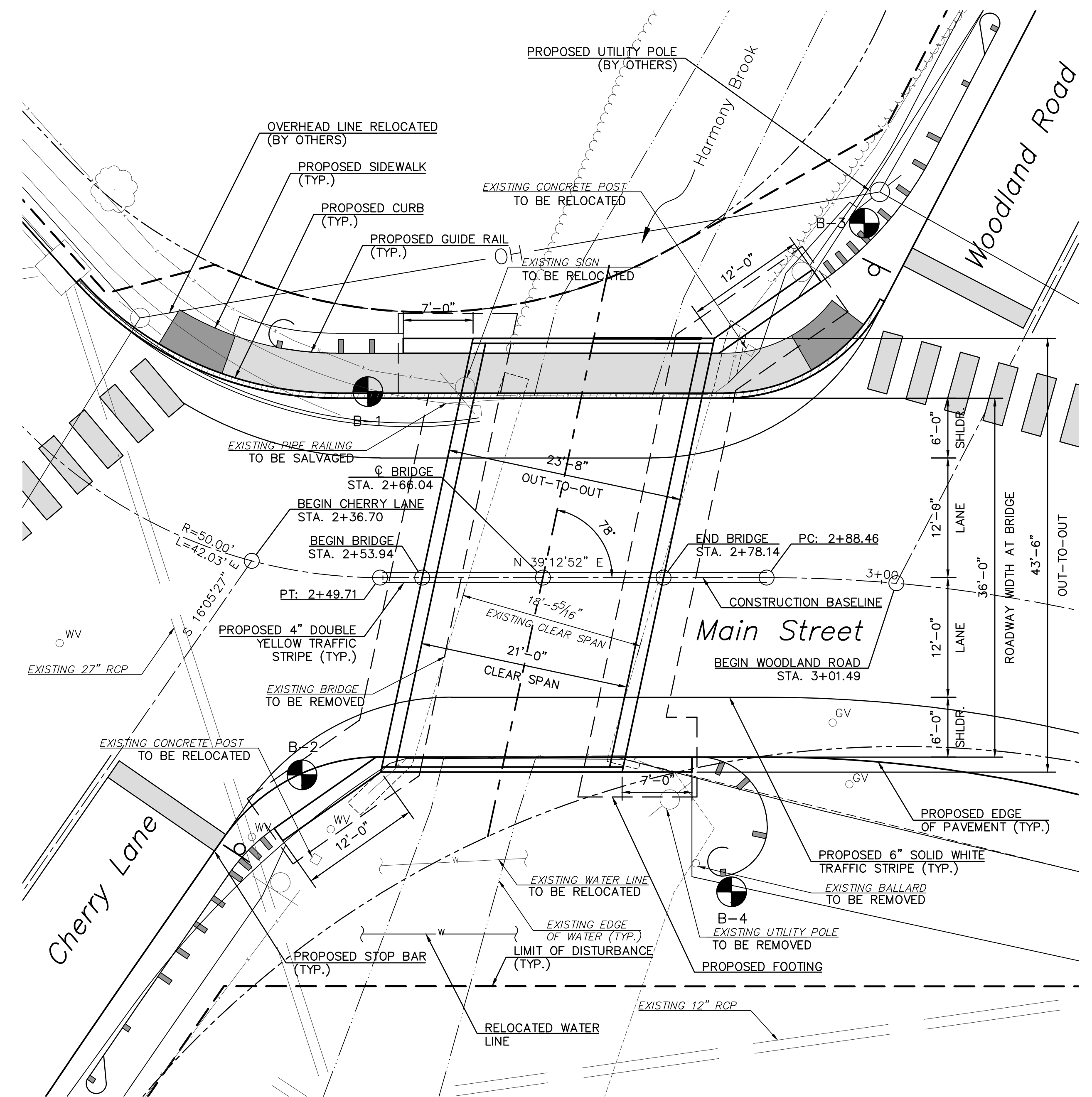
C-2
C-2

COUNTY OF MORRIS DEPARTMENT OF PUBLIC WORKS DIVISION OF ENGINEERING, MORRISTOWN, NJ 07963	
BRIDGE NO. 1400-696 CONSTRUCTION PLAN MAIN STREET OVER HARMONY BROOK MENDHAM TOWNSHIP, MORRIS COUNTY, NEW JERSEY CONTRACT NO.	
<i>Maick & Scherer, P.C. — M&S —</i> <small>Consulting Engineers • Construction Inspectors • Land Surveyors</small> <small>Perryville 111 Corporate Center, 53 Frontage Rd., Suite 260, Hampton, NJ 08827</small> <small>Phone (908) 537-1300 Fax (908) 537-1398</small>	
REV. NO. DATE DESCRIPTION	Steven C. Ragazzo, P.E. New Jersey Professional Engineer No. GE38664 DATE: 1/22/2014

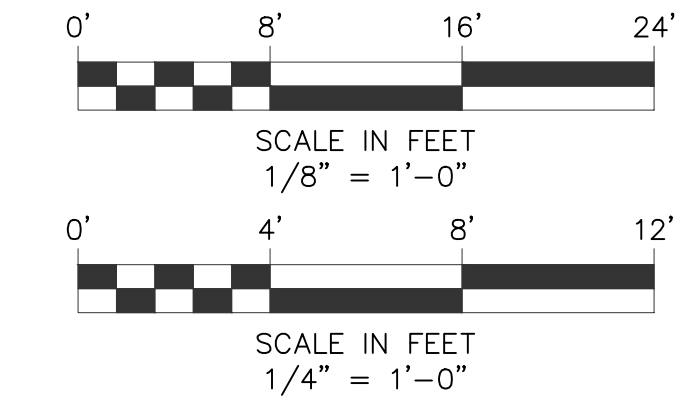


GENERAL NOTES:

- DESIGN SPECIFICATIONS: 2010 (4TH EDITION) AASHTO LRFD BRIDGE DESIGN SPECIFICATIONS, WITH CURRENT INTERIMS, AS MODIFIED BY SECTION 3 OF THE NJDOT DESIGN MANUAL FOR BRIDGE AND STRUCTURES 2009 (5TH EDITION).
- CONSTRUCTION SPECIFICATIONS: 2007 NJDOT STANDARD SPECIFICATIONS FOR ROAD AND BRIDGE CONSTRUCTION AS MODIFIED BY THE SUPPLEMENTARY SPECIFICATIONS.
- LIVE LOAD: AASHTO LRFD HL-93 VEHICULAR LIVE LOADING OR TANDEM 24 KIP AXLES AT 4'-0" CENTERS, WHICHEVER GOVERNS.
- CONCRETE DESIGN STRESSES:
 - (A) SPECIFIED DESIGN COMPRESSIVE STRENGTHS (f'_c): (IN ACCORDANCE WITH THE RETEST LIMIT AS SPECIFIED IN SECTION 914 OF THE SPECIFICATIONS)
 - CLASS A.....4,000 PSI
 - CLASS B.....3,000 PSI
 - CLASS S.....2,000 PSI
 - CLASS P.....5,000 PSI
 - (B) CLASS DESIGN STRENGTHS: (IN ACCORDANCE WITH SECTION 914 OF THE SPECIFICATIONS)
 - CLASS A.....4,600 PSI
 - CLASS B.....3,700 PSI
 - CLASS S.....2,000 PSI
 - CLASS P.....5,500 PSI
- REINFORCEMENT STEEL: ASTM A615 (GRADE 60), EPOXY COATED.
- STRUCTURE: FRAME, WINGWALLS AND FOOTING REINFORCEMENT SHALL BE DESIGNED AND DETAILED BY FABRICATOR BASED ON LRFD METHOD.
- BORINGS:  INDICATES APPROXIMATE LOCATION OF SOIL BORINGS. REFER TO 1/6/2014 GEOTECHNICAL ENGINEERING B-1 REPORT BY CRAIG TESTING.
- FOUNDATION DESIGN CRITERIA:
 - (A) SPREAD FOOTINGS
 - (B) NOMINAL BEARING RESISTANCE = X.X TSF
 - (C) FACTORED BEARING RESISTANCE = X.X TSF
 - (D) ALLOWABLE BEARING PRESSURE = 1.5 TSF
- ELEVATIONS SHOWN ARE BASED ON VERTICAL DATUM OF N.A.V.D 1988.
- EXISTING LOCATIONS OF OVERHEAD LINES TO BE RELOCATED NOT SHOWN FOR CLARITY, SEE UTILITY RELOCATION PLAN.
- FOR UNDERGROUND UTILITIES, SEE UTILITY RELOCATION PLAN.



HYDRAULIC AND HYDROLOGICAL DATA		
FREQUENCY	50	100
DESIGN DISCHARGE (CFS)	540	675
DESIGN WATER SURFACE ELEVATION	427.85	428.00
ENERGY GRADE ELEVATION	428.05	428.25

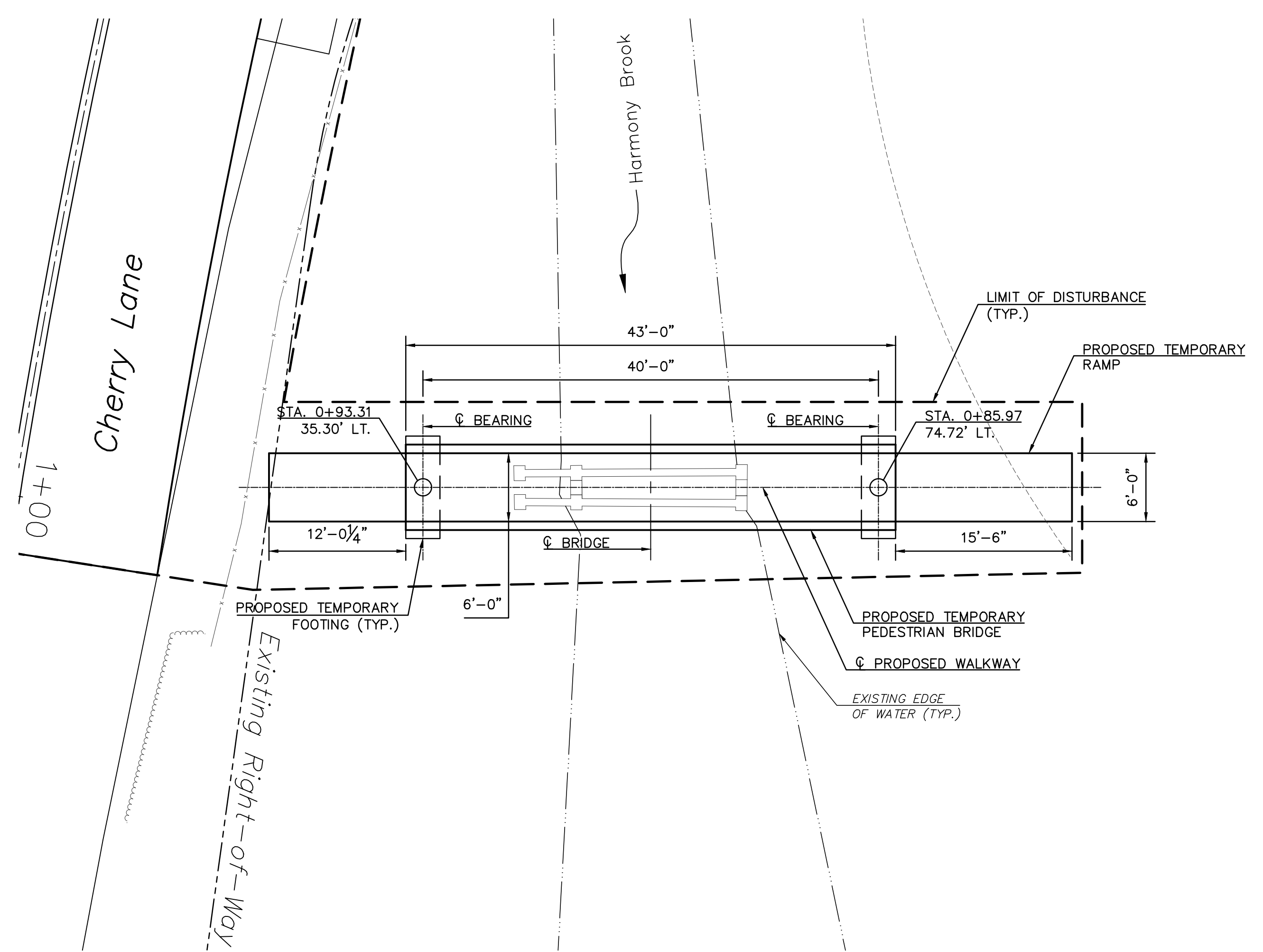


REV. NO.	DATE	DESCRIPTION	BY	CHKD	COUNTY OF MORRIS DEPARTMENT OF PUBLIC WORKS DIVISION OF ENGINEERING, MORRISTOWN, NJ 07963	
					BRIDGE NO. 1400-696 GENERAL PLAN AND ELEVATION MAIN STREET OVER HARMONY BROOK MENDHAM TOWNSHIP, MORRIS COUNTY, NEW JERSEY CONTRACT NO.	
					Maick & Scherer, P.C. — M&S Consulting Engineers • Construction Inspectors • Land Surveyors Perryville 111 Corporate Center, 53 Frontage Rd., Suite 260, Hampton, NJ 08827 Phone (908) 537-1300 Fax (908) 537-1398	
Steven C. Ragazzo, P.E. New Jersey Professional Engineer No. GE38664					DATE: 1/22/2014	

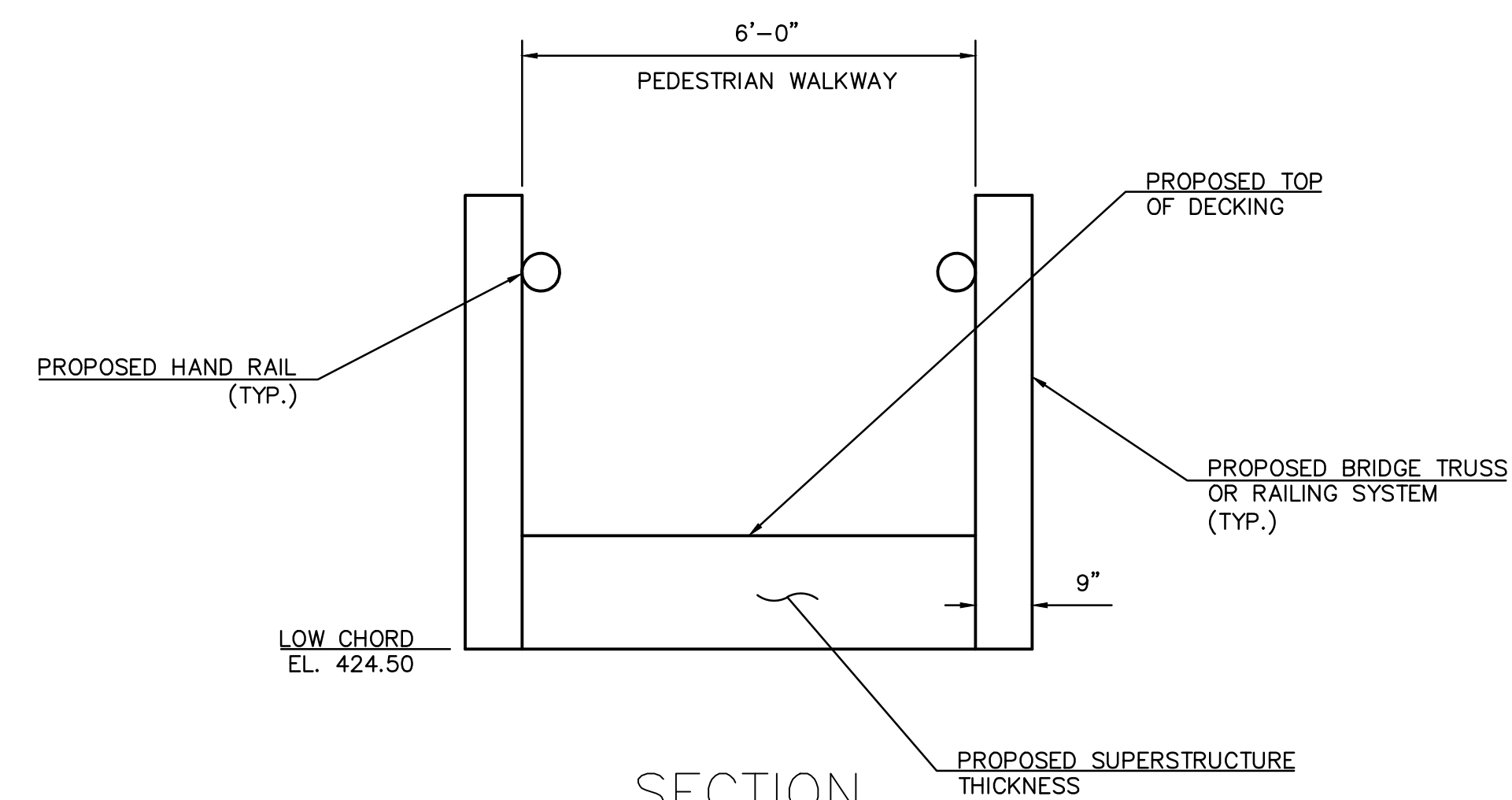
* AS REQUIRED BY DESIGN

GENERAL NOTES:

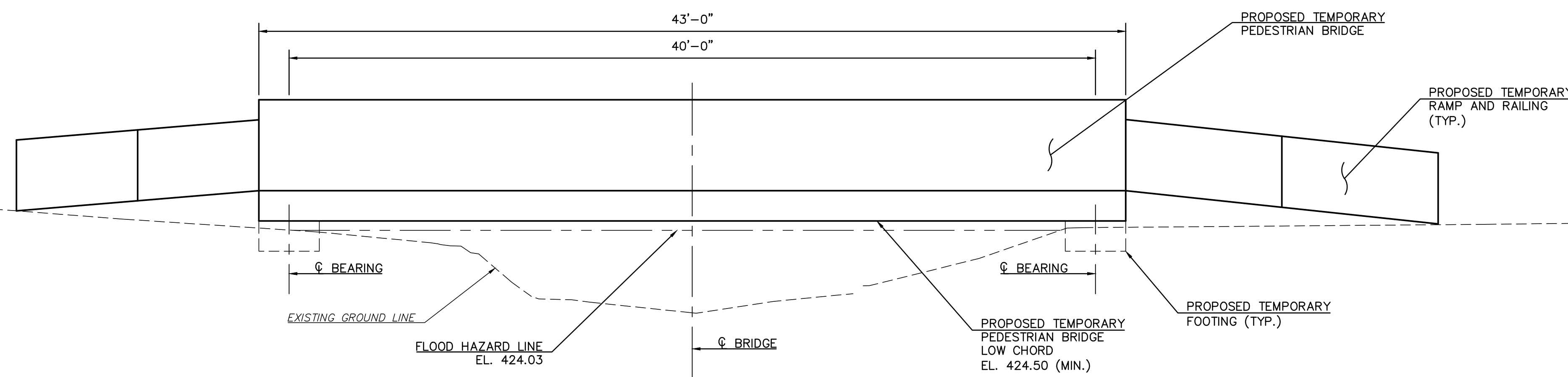
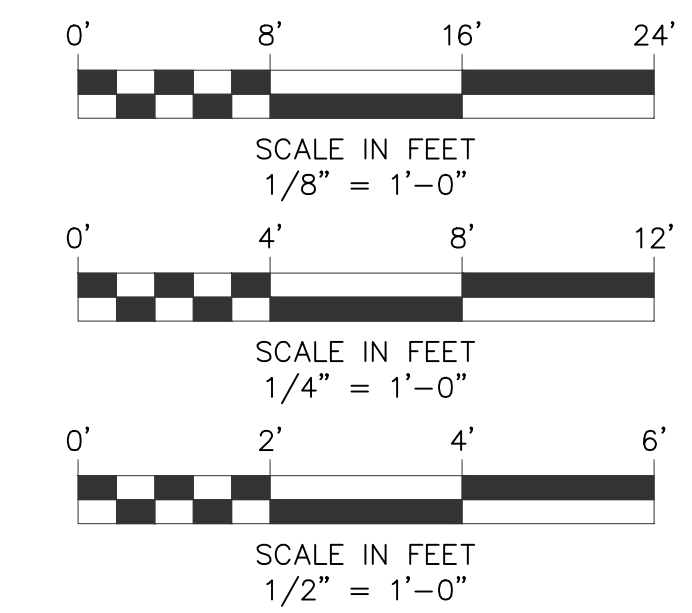
- DESIGN SPECIFICATIONS: 2010 (4TH EDITION) AASHTO LRFD BRIDGE DESIGN SPECIFICATIONS, WITH CURRENT INTERIMS, AS MODIFIED BY SECTION 3 OF THE NJDOT DESIGN MANUAL FOR BRIDGE AND STRUCTURES 2009 (5TH EDITION).
- CONSTRUCTION SPECIFICATIONS: 2007 NJDOT STANDARD SPECIFICATIONS FOR ROAD AND BRIDGE CONSTRUCTION AS MODIFIED BY THE SUPPLEMENTARY SPECIFICATIONS.
- LIVE LOAD: 85 PSF.
- STRUCTURE: TEMPORARY PEDESTRIAN BRIDGE SHALL BE DESIGNED AND DETAILED BY FABRICATOR BASED ON LRFD METHOD.
- ELEVATIONS SHOWN ARE BASED ON VERTICAL DATUM OF N.A.V.D. 1988.
- TEMPORARY PEDESTRIAN BRIDGE IS ESTIMATED TO BE IN PALCE FOR THREE MONTHS DURING BRIDGE CLOSURE DURATION.



PLAN
SCALE: 1/8" = 1'-0"



SECTION
SCALE: 1/2" = 1'-0"



ELEVATION
SCALE: 1/4" = 1'-0"

COUNTY OF MORRIS DEPARTMENT OF PUBLIC WORKS DIVISION OF ENGINEERING, MORRISTOWN, NJ 07963	
BRIDGE NO. 1400-696 TEMPORARY BRIDGE - GP&E MAIN STREET OVER HARMONY BROOK MENDHAM TOWNSHIP, MORRIS COUNTY, NEW JERSEY CONTRACT NO.	
Malick & Scherer, P.C. — M&S — Consulting Engineers • Construction Inspectors • Land Surveyors Perryville 111 Corporate Center, 53 Frontage Rd., Suite 260, Hampton, NJ 08827 Phone (908) 537-1300 Fax (908) 537-1398	
REV. NO. / DATE	Steven C. Ragazzo, P.E. New Jersey Professional Engineer No. GE38664
DESCRIPTION	DATE: 1/22/2014

B-2
B-2

X
X